



PCORE
ELECTRIC

KV CLASS 34.5 kV | BIL 200 kV | Uy 22 kV

CURRENT RATING

400A DRAW LEAD CONNECTION
1200A BOTTOM CONNECTION

DWG. CATALOG NUMBER GLAZE COLOR

SD B-89393-15 BROWN

SD B-89393-15-70 LT. GRAY

DATE 2-25-97 REV. DATE 1-10-20

MAXIMUM ALTITUDE 10000 ft [3000 m]

NET WEIGHT 70 lb [32 kg]

ANGLE OF INCLINATION FROM THE VERTICAL 0° TO 70°

MIN. CREEP 41.00 [104.4] MIN. STRIKE 17.00 [431.8]

CREEP/L-G 2.06 [52.3] STD. IEEE C57.19.00/01

PCB CONTENT OF OIL IS LESS THAN 1 ppm

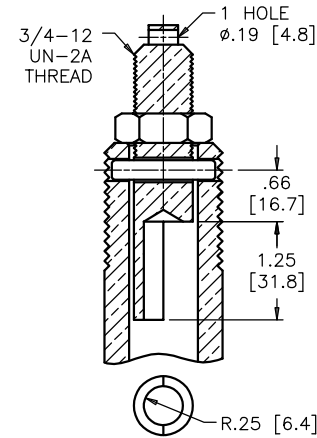
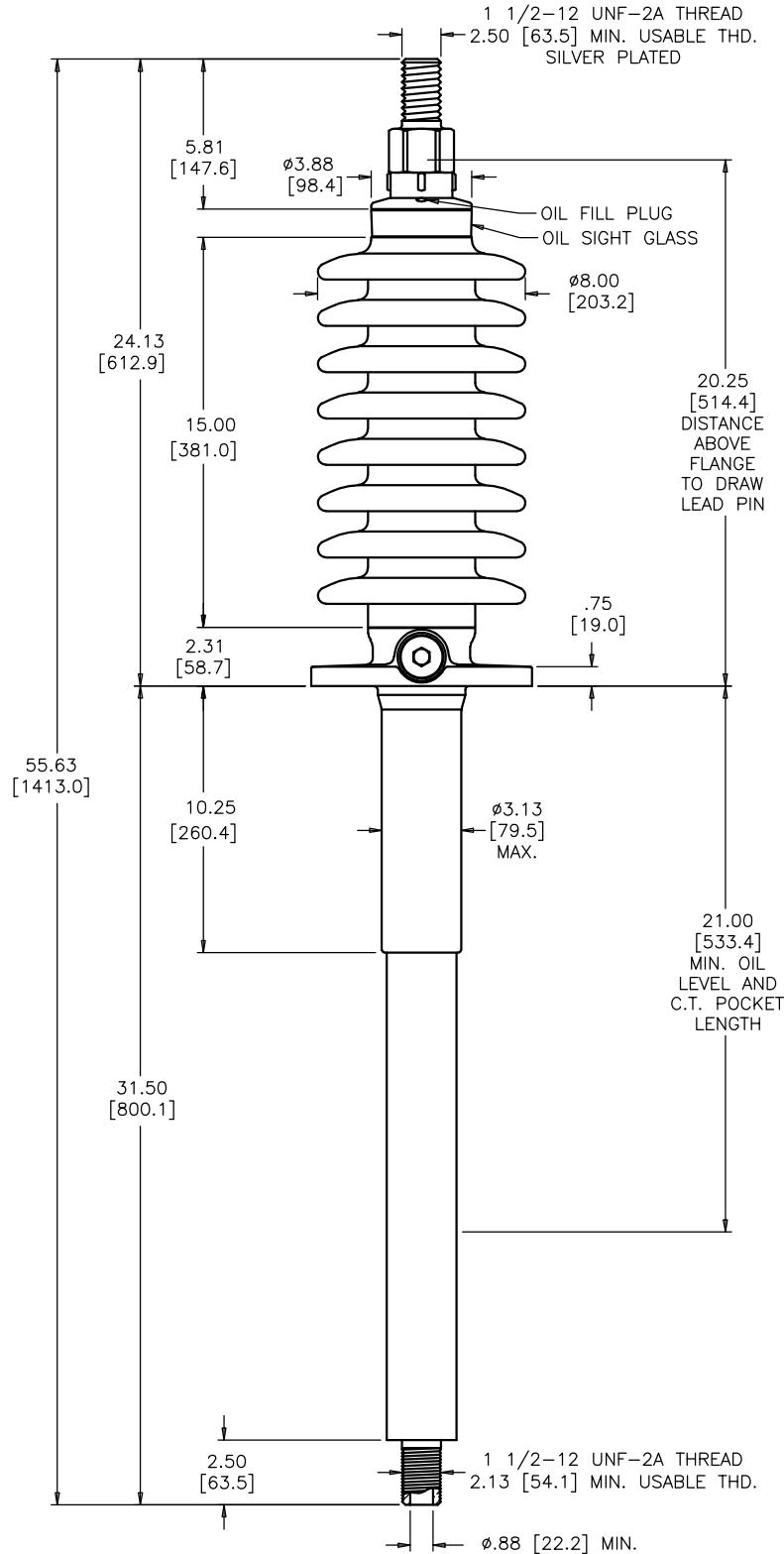
TITLE

IEEE STANDARD BUSHING

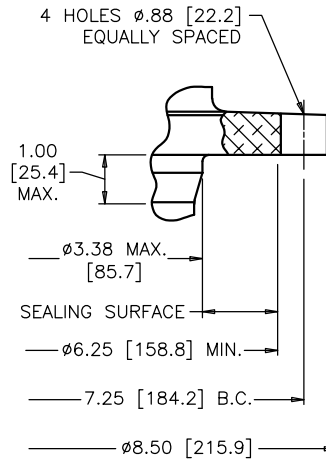
PRC BUSHING

CURVED DRAW LEAD TERMINAL

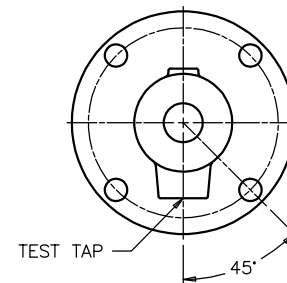
NOTE: ACTUAL DRAW-LEAD CURRENT RATING IS DETERMINED BY CABLE SIZE



DRAW LEAD ASSEMBLY



MOUNTING FLANGE DETAIL



FLANGE ALIGNMENT DIAGRAM TOP VIEW

DIMENSIONS IN INCHES [MILLIMETERS]

REVISION NET WEIGHT WAS 69 lb

SCALE 1/1

NOTE TO PURCHASER:
ALL SALES OF PCORE PRODUCTS ARE SUBJECT
TO OUR STANDARD TERMS AND CONDITIONS
AND THE LIMITED WARRANTIES THEREUNDER